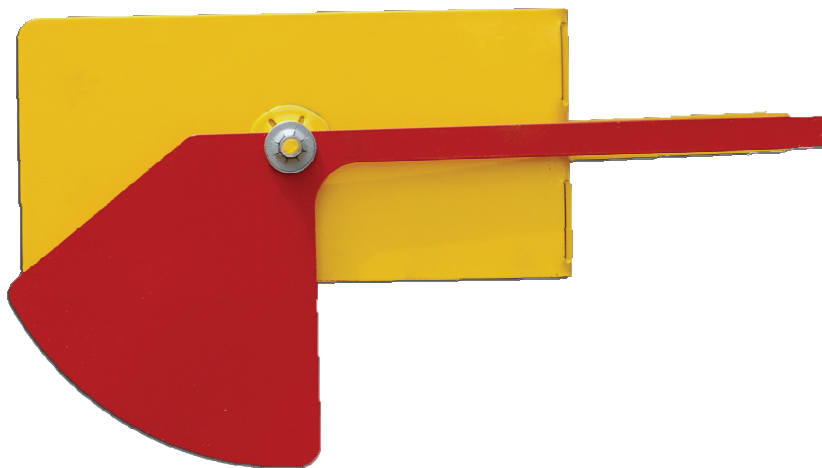




VESTIL MANUFACTURING CORP.
 2999 North Wayne Street, P.O. Box 507, Angola, IN 46703
 Telephone: (260) 665-7586 -or- Toll Free (800) 348-0868
 Fax: (260) 665-1339
 www.vestilmfg.com e-mail: sales@vestil.com

FRK-LVL FORK LEVEL INDICATOR ASSEMBLY MANUAL



Receiving instructions:

After delivery, IMMEDIATELY remove the packaging from the product in a manner that preserves the packaging and maintains the orientation of the product in the packaging; then inspect the product closely to determine whether it sustained damage during transport. **If damage is discovered during the inspection, immediately record a complete description of the damage on the bill of lading.** If the product is undamaged, discard the packaging.

NOTES:

- 1) Compliance with laws, regulations, codes, and non-voluntary standards enforced in the location where the product is used is exclusively the responsibility of the owner/end-user.
- 2) VESTIL is **not liable** for any injury or property damage that occurs as a consequence of failing to apply either:
 - a) Instructions in this manual; or
 - b) information provided on labels affixed to the product.
 Neither is Vestil responsible for any consequential damages sustained as a result of failing to exercise sound judgment while assembling, installing, using or maintaining this product.

Table of Contents

Product specifications.....	2
Hazard identification: explanation of signal words.....	2
Safe use recommendations.....	2
FIG.1: Exploded parts diagram and bill of materials.....	2
Installation instructions.....	3
Operation.....	3
Limited warranty.....	4

Product Specifications:

Overall Dimensions (W x L x H)	Net Weight
2 ¹ / ₄ x 9 ¹ / ₄ x 5 (5.7cm x 23.5cm x 12.7cm)	1 lb. (0.45kg)

Hazard Identification: Explanation of SIGNAL WORDS

This manual uses SIGNAL WORDS to indicate the likelihood of personal injuries, as well as the probable seriousness of those injuries, if the product is misused in the ways described. Other signal words call attention to uses of the product likely cause property damage.

The signal words used in this manual appear below along with the meaning of each word:

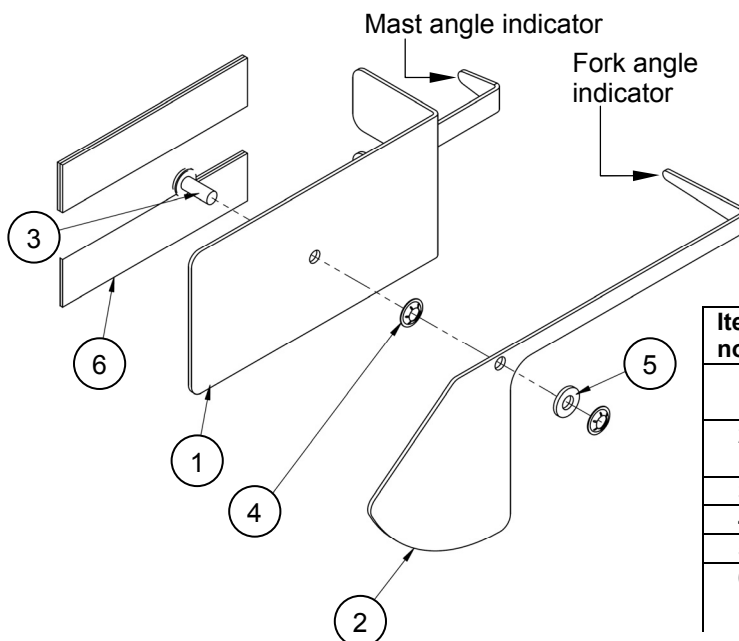
- ⚠ DANGER** Identifies a hazardous situation which, if not avoided, **WILL** result in **DEATH** or **SERIOUS INJURY**. Use of this signal word is limited to the most extreme situations.
- ⚠ WARNING** Identifies a hazardous situation which, if not avoided, **COULD** result in **DEATH** or **SERIOUS INJURY**.
- ⚠ CAUTION** Indicates a hazardous situation which, if not avoided, **COULD** result in **MINOR** or **MODERATE** injury.
- NOTICE** Identifies practices likely to result in product/property damage, such as operation that might damage the shed.

Safe Use Recommendations:

Vestil diligently strives to identify foreseeable hazards associated with the use of its products. However, no manual can address every possible risk. The end-user ultimately is responsible for exercising sound judgment at all times.

- NOTICE** This product must be properly maintained to function properly.
- Routinely examine the device and confirm that the indicator arm rotates freely. Lubricate the rivet whenever necessary to restore free rotation.
 - Check the connection to the fork truck mast. The device should be solidly mounted to the mast. Replace the hook-and-loop strips if they are damaged.
 - Periodically check the accuracy of the indicator by performing step 1 on p. 3; then confirm that the fork angle indicator aligns with the mast angle indicator. If necessary, pull the device off of the fork mast, adjust its position, and reattach it to the fastener strips on the mast.

FIG. 1: Exploded parts diagram



Item no.	Part no.	Description	Quantity
1	47-016-013	Bracket, indicator base, formed	1
2	47-014-015	Frame, Indicator arm, formed	1
3	99-145-065	Solid rivet	1
4	99-117-010	Retainer, 1/4" push nut	2
5	33004	#12 SAE flat washer	1
6	47-051-001	1in. hook-and-loop fastener strips, black, pressure sensitive	4

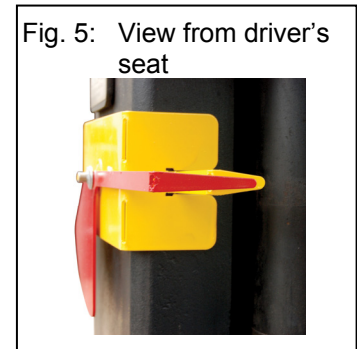
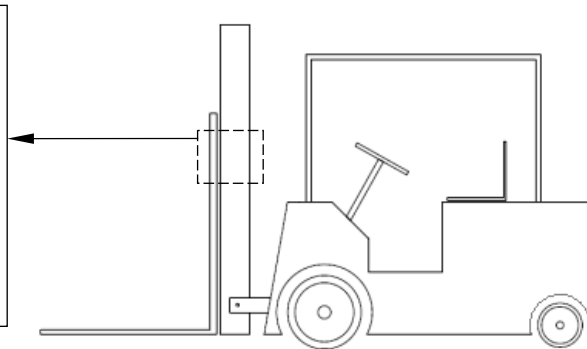
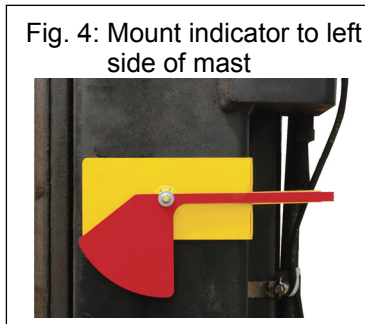
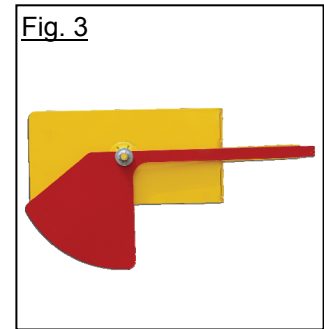
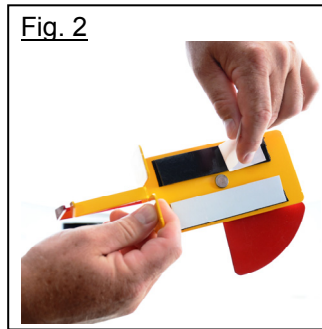
Installation Instructions:

Step 1: Level the forks of your fork truck. For instance, place a bubble level on one of the tines and adjust the pitch of the mast to make the tines horizontally level.

Step 2: Remove the paper backing from the hook-and-loop fastener strips on the level indicator (see FIG. 2)

Step 3: Align the fork angle indicator with the mast angle indicator as shown in FIG. 3.

Step 4: Attach the indicator base to the left side of the mast of your fork truck with the angle indicators facing the cab/operator station (see FIGS. 4 & 5). Firmly press the indicator base against the mast to allow the adhesive on the hook-and-loop fastener strips to bond to the mast.



Operation:

When the tips of the forks are pointing down, the red fork angle indicator will be below the yellow mast angle indicator.



When the forks are (horizontally) level, the red and yellow indicators align.



When the tips of the forks are pointing up, the red indicator will be above the yellow indicator.



LIMITED WARRANTY

Vestil Manufacturing Corporation ("Vestil") warrants this product to be free of defects in material and workmanship during the warranty period. *Our warranty obligation is to provide a replacement for a defective original part if the part is covered by the warranty, after we receive a proper request from the warrantee (you) for warranty service.*

Who may request service?

Only a warrantee may request service. *You are a warrantee if* you purchased the product from Vestil or from an authorized distributor AND Vestil has been fully paid.

What is an "original part"?

An original part is a part used to make the product as shipped to the warrantee.

What is a "proper request"?

A request for warranty service is proper if Vestil receives: 1) a photocopy of the Customer Invoice that displays the shipping date; AND 2) a written request for warranty service including your name and phone number. Send requests by any of the following methods:

<u>Mail</u>	<u>Fax</u>	<u>Email</u>
Vestil Manufacturing Corporation 2999 North Wayne Street, PO Box 507 Angola, IN 46703	(260) 665-1339 <u>Phone</u> (260) 665-7586	sales@vestil.com

In the written request, list the parts believed to be defective and include the address where replacements should be delivered.

What is covered under the warranty?

After Vestil receives your request for warranty service, an authorized representative will contact you to determine whether your claim is covered by the warranty. Before providing warranty service, Vestil may require you to send the entire product, or just the defective part or parts, to its facility in Angola, IN. The warranty covers defects in the following original dynamic components: motors, hydraulic pumps, electronic controllers, switches and cylinders. It also covers defects in original parts that wear under normal usage conditions ("wearing parts"), such as bearings, hoses, wheels, seals, brushes, and batteries.

How long is the warranty period?

The warranty period for original components is 15 days. The warranty period begins on the date when Vestil ships the product to the warrantee. If the product was purchased from an authorized distributor, the period begins when the distributor ships the product. Vestil may extend the warranty period for products shipped from authorized distributors by *up to* 30 days to account for shipping time.

If a defective part is covered by the warranty, what will Vestil do to correct the problem?

Vestil will provide an appropriate replacement for any covered part. An authorized representative of Vestil will contact you to discuss your claim.

What is not covered by the warranty?

1. Labor;
2. Freight;
3. Occurrence of any of the following, which automatically voids the warranty:
 - Product misuse;
 - Negligent operation or repair;
 - Corrosion or use in corrosive conditions;
 - Inadequate or improper maintenance;
 - Damage sustained during shipping;
 - Accidents involving the product;
 - Unauthorized modifications: DO NOT modify the product IN ANY WAY without first receiving written authorization from Vestil. Modification(s) might make the product unsafe to use or might cause excessive and/or abnormal wear.

Do any other warranties apply to the product?

Vestil Manufacturing Corp. makes no other express warranties. All implied warranties are disclaimed to the extent allowed by law. Any implied warranty not disclaimed is limited in scope to the terms of this Limited Warranty.

